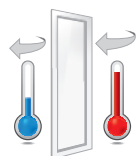
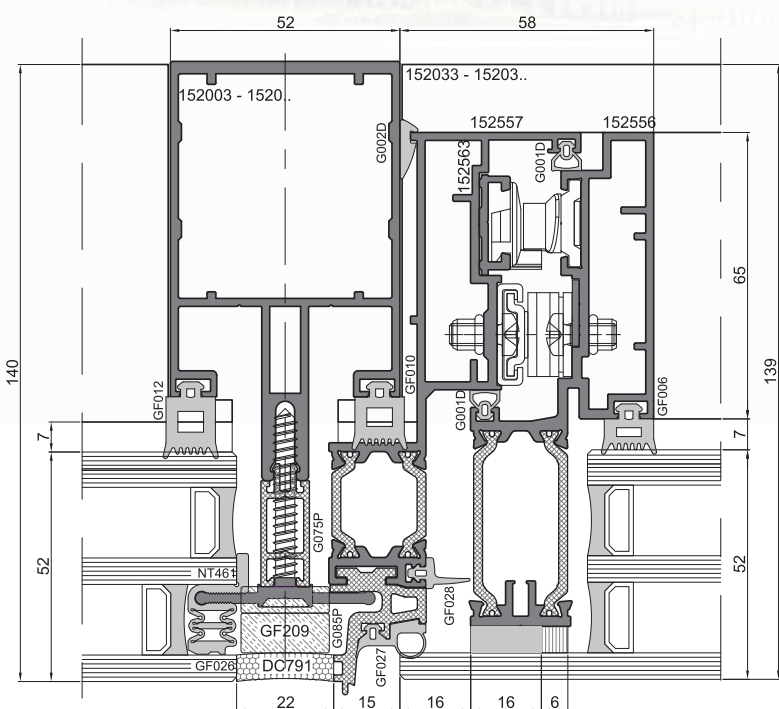
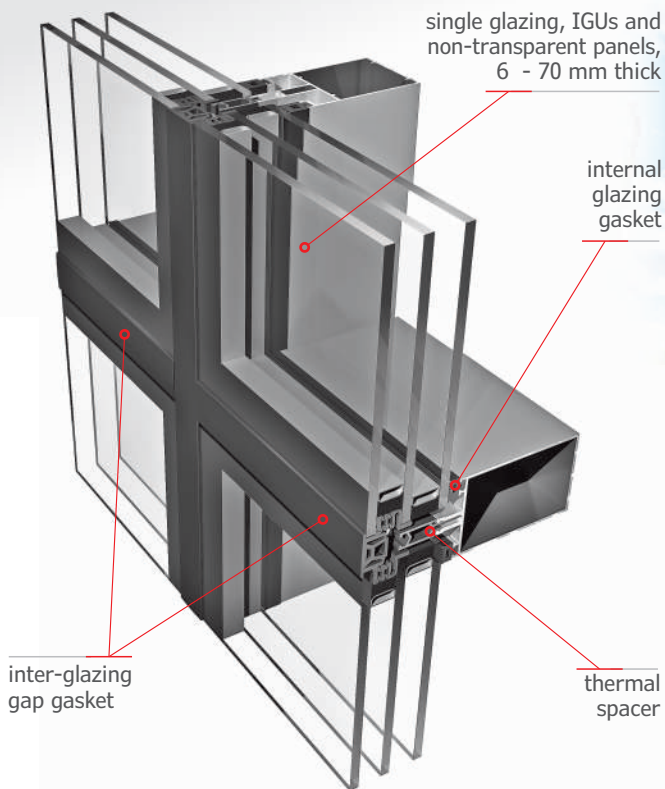


# PROCURAL formerly Ponzio Polska PF152ESG

## CURTAIN WALL SYSTEMS



$$U_{CW} = 0.64 \text{ W}/(\text{m}^2\text{K})$$

\*reference construction dimensions: L 1200 x H 2500 mm  
 $U_g = 0.5 \text{ W}/(\text{m}^2\text{K})$ , triple glazing

### A system designed for the construction of curtain walls and other spatial structures

- the external surface is a flat glazed surface, divided with vertical and horizontal lines – 22 mm wide (using weather-proof silicone) or 28 mm wide (using system glazing gaskets)
- shares the mullion-transom load bearing structure of the PROCURAL PF152 curtain wall system, including a wide selection of profiles
- PROCURAL system windows may be used as filling
- independently opening awning windows placed alongside each other possible
- triple glazing may be used (up to 70 mm thick)
- profile bending possible

### TECHNICAL PARAMETERS

<b>Filling thickness</b>	dla fasady 6 - 70 mm dla okna 24 - 60 mm
<b>Thermal insulation</b>	$U_f$ od 1,3 W/(m <sup>2</sup> K) $U_{CW}/U_w$ od 0,64 W/(m <sup>2</sup> K)
<b>Air permeability</b>	klasa AE 1200
<b>Watertightness</b>	klasa RE 2550
<b>Resistance to impact</b>	klasa E5/I5
<b>Resistance to wind load</b>	klasa 2400 Pa, E3600 Pa

### Certification

type testing in acc. with EN 13830